

# HAZARDS

## Natural Gas Supply

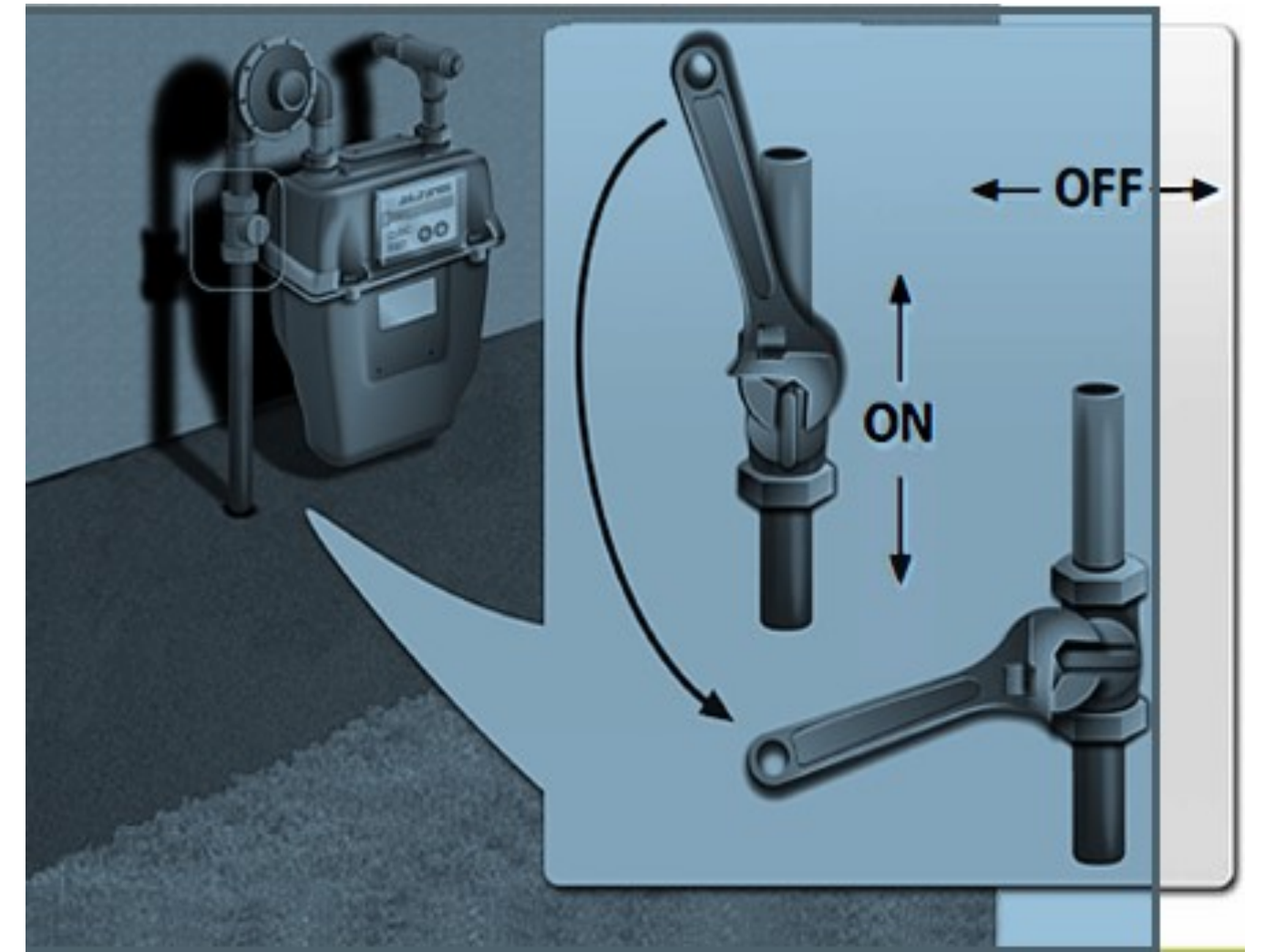


**Warning**  
Flammable gas

- Leaking gas can explode, causing fires.
- **DO NOT** enter or immediately leave a house that smells of natural gas (rotten egg smell).
- Gas is leaking if you can smell it, hear hissing, or see the dials on your gas meter spinning.

### If it is leaking:

- Use a wrench or other tool to turn the valve on the gas meter 1/4 turn so the valve head crosses the intake pipe. It may be hard to turn.
  - Do not use power tools or anything that would cause a spark near the gas meter.
- DO NOT** turn off the gas unless it is leaking! The gas company must turn it back on for you, and it may be a long time until they get to you.



## Electrical Hazards

- Report any electrical pole fires to 911 or fire station.
- **DO NOT** flip live electrical switches in a home where there might be a gas leak, sparks could cause an explosion.
- Unplug small appliances, and things not plugged into a protected power strip. Leave on a light so you know when power returns.
- **ALWAYS** treat downed wires as **LIVE**—even if you think the power is out—stay at least 20 feet away!

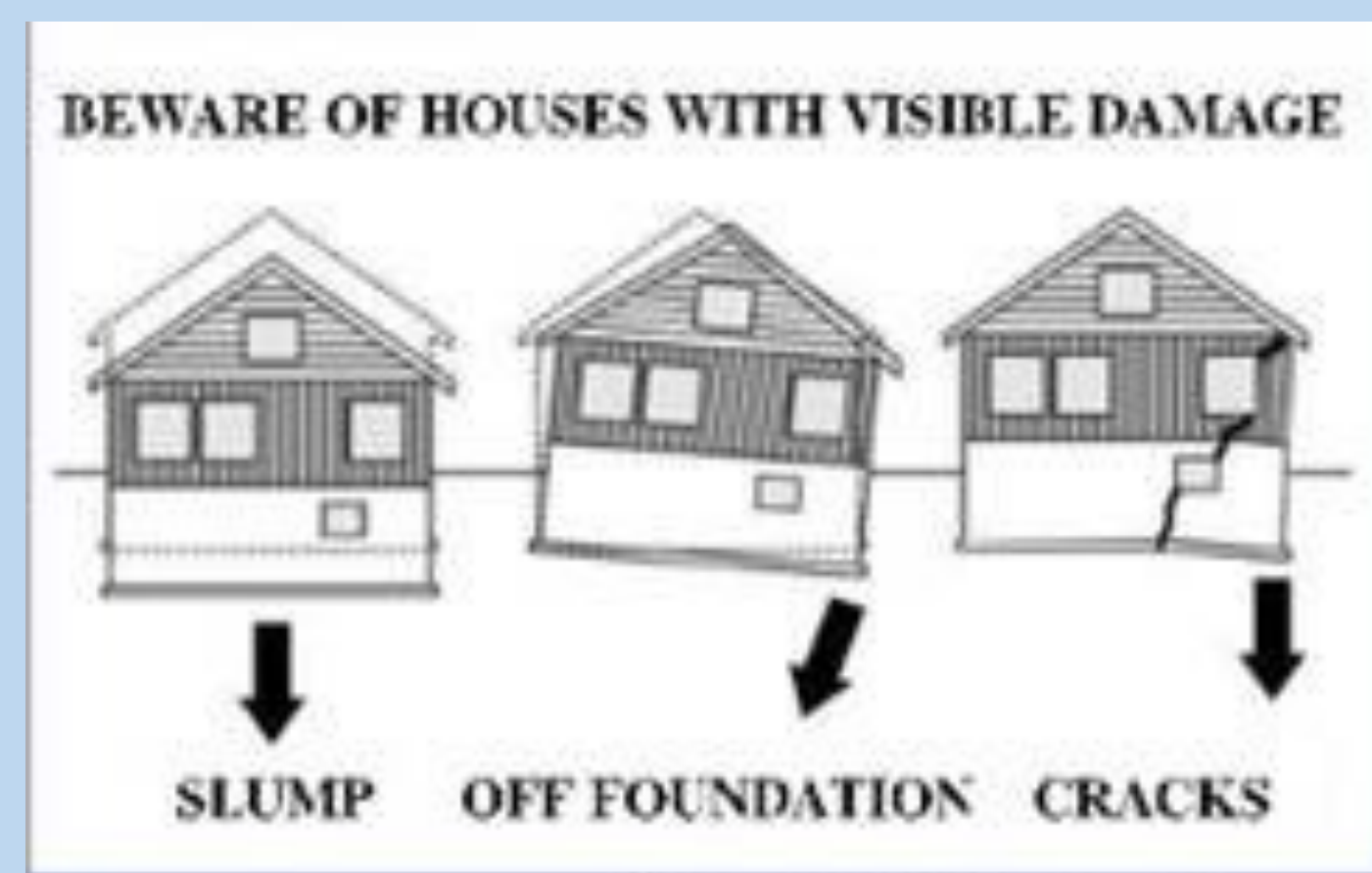


## Hazardous Materials

- **BEWARE** of toxic fumes from spilled and mixed substances. If you feel ill effects, leave the area immediately.
- Mark off spills of cleaning fluids, fuel and other substances to protect others.
- Clean up spilled substances, if it is safe to do so, or cover with dirt or non-flammable material.
- Look for and clean up spilled medicines and other hazards to children and pets.



## Beware of Buildings with Visible Damage



After an earthquake, there may be aftershocks which can cause further damage—check out buildings before re-entering!

### Chimneys

- Inspect your chimney for damage.
- Brick chimneys will be weakened by shaking and may collapse in an aftershock.
- If your chimney is damaged, stay away.
- Do not use your fireplace until the chimney has been inspected.

### Slope Failure

- Be aware of regions where slope failure is predicted. Aftershocks or worsening conditions may cause delayed slope failure.

### Structural and Safety Placards

- **Green** and **Yellow** Placards, when inspections can take place, will tell you to what extent your building can be occupied.
- **Red** Placards: No entry under any circumstances!